

McCULLOCH[®]

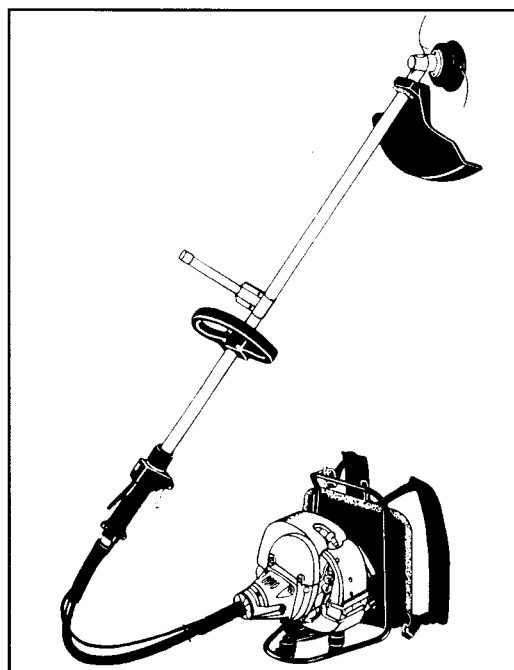
PARTNER

ILLUSTRATED PARTS LIST

ELITE 4000 BP PARTNER B400BP

SERIAL NUMBER PREFIX 01

CE



May 1998

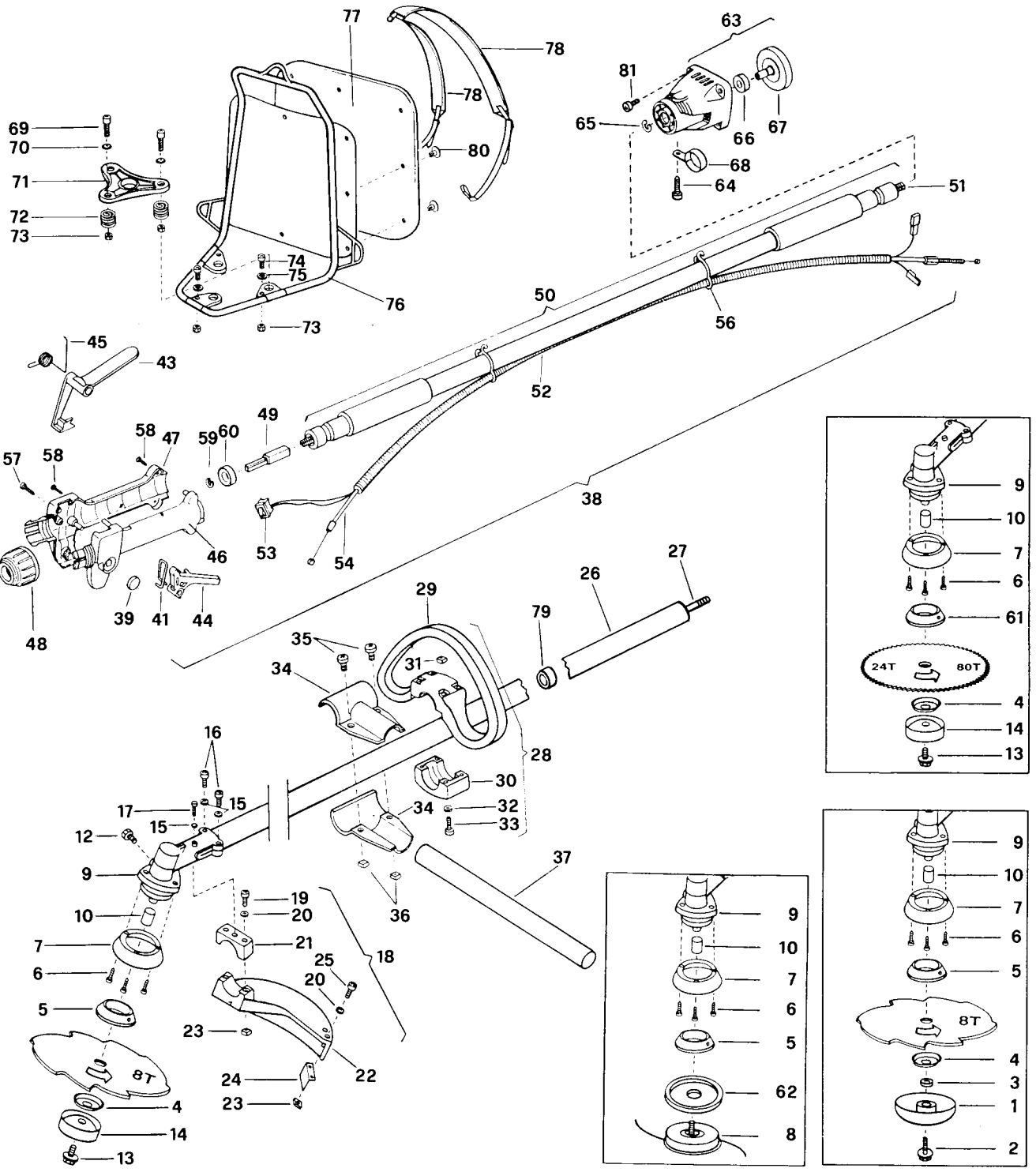
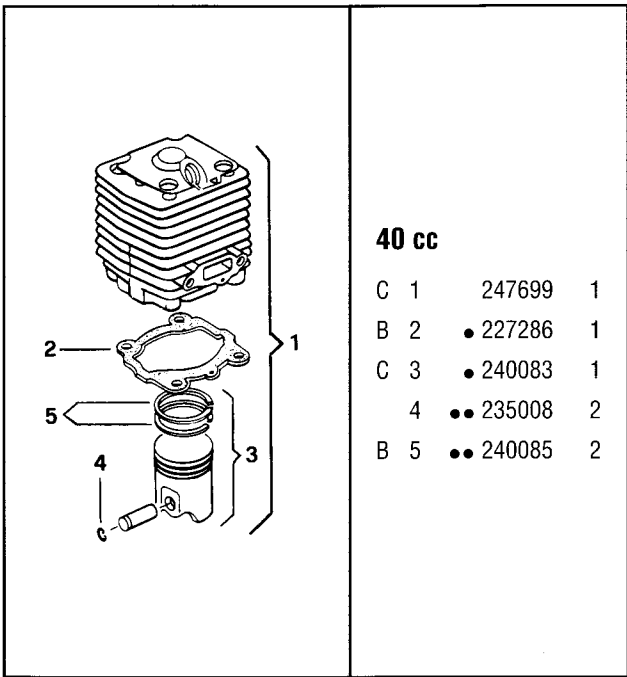


FIGURE 2

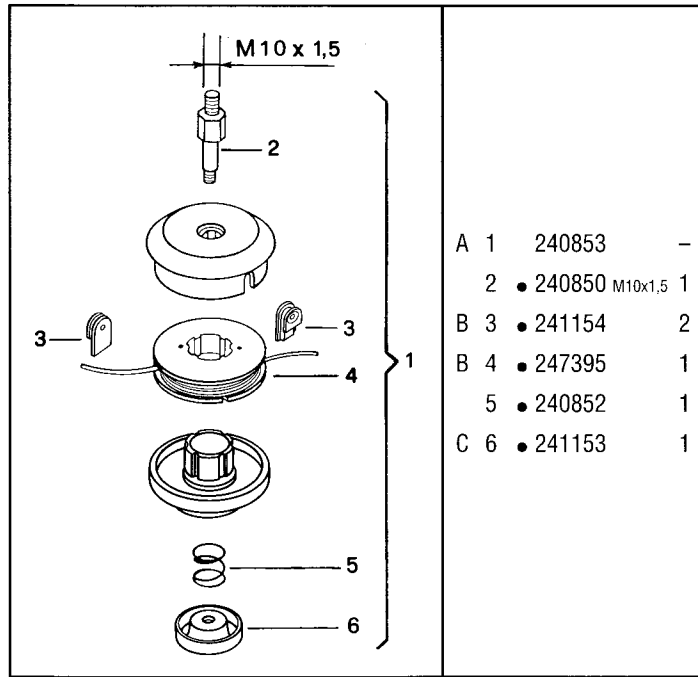
A 1	240809B	1	B 18	247209	1	34	240682	2	C 52	● 241443	1	69	229077	M5x18	3				
A 2	240806	1	19	● 235806	M5x20	2	35	235911	M6x12	2	C 53	●● 236394	1	70	227259	3			
A 3	240807	1	20	● 235248	4	36	236642	2	C 54	●● 241442	1	71	240171	1	73	240592	6		
A 4	229834	1	21	● 240870	1	37	246864	1	56	● 240200	2	72	240196	3	74	235802	M5x14	3	
A 5	229833	1	B 22	● 240932	1	38	241427	1	57	● 240617	2	73	240592	6	75	227259	3		
B 7	240688	M5x14	23	● 236732	4	39	● 241297	1	58	● 240618	4	74	235802	M5x14	3	76	240172	1	
A 8	240767	1	24	● 224497-01	1	41	● 235932	1	59	● 235224	1	77	240229	1	77	240229	1		
A 9	FIGURE 4		25	● 235802	M5x14	2	43	● 240041	1	60	● 235897	1	78	240246	2	78	240246	2	
10	240824	1	26	240828	1	44	● 240042	1	A 61	240936	1	79	236383	5	79	236383	5		
12	● 247272	1	27	240189	1	45	● 240043	1	62	241155	1	80	240588	8	80	240588	8		
A 13	229842	M10x16	28	236999	1	46	● 240166	1	63	241450	1	81	236527	M6x16	4	81	236527	M6x16	4
A 14	236596	1	29	● 236808	1	47	● 240167	1	64	● 240468	1								
15	236529	3	30	● 236809	1	48	● 240170	1	C 65	● 236378	1								
16	235804	M5x30	31	● 236642	4	49	● 240181	1	C 66	● 235918	1								
17	236381	M5x10	32	● 236936	4	50	● 240187	1	C 67	● 240194	1								
			33	● 228320	M6x45	4	C 51	●● 240185	1	68	● 241480	1							

A = high moving - alta rotazione - haute demande - große Nachfrage B = medium moving - media rotazione - moyenne demande - mittelmäßige Nachfrage C = slow moving - bassa rotazione - basse demande - wenige Nachfrage



40 cc

C	1	247699	1
B	2	● 227286	1
C	3	● 240083	1
	4	●● 235008	2
B	5	●● 240085	2

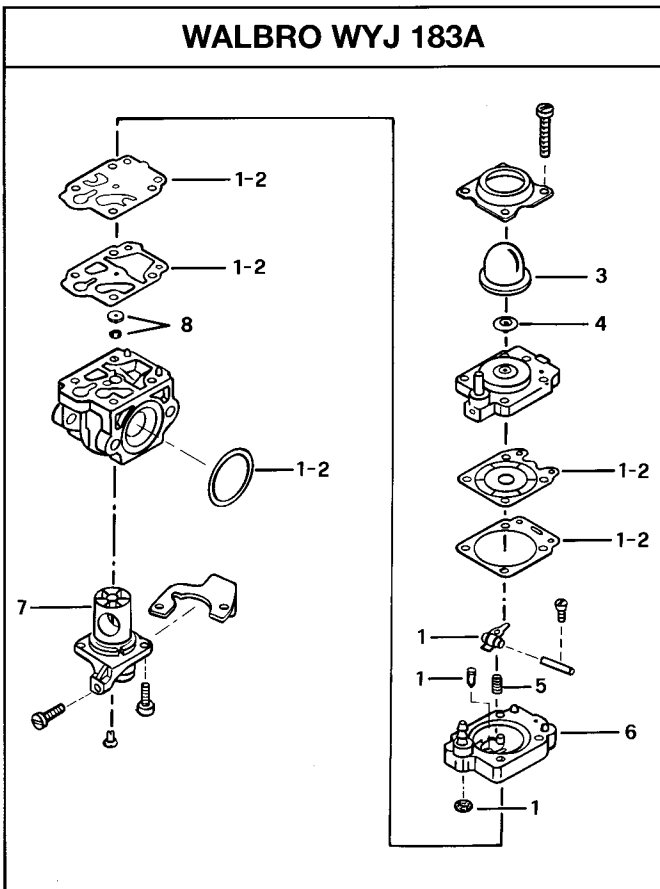


A	1	240853	-
	2	● 240850 M10x1,5	1
B	3	● 241154	2
B	4	● 247395	1
	5	● 240852	1
C	6	● 241153	1

FIGURE 3

FIGURE 4

WALBRO WYJ 183A



C	-	241268	carbur.
B	1	● 247955	1
A	2	●● 247956	1
C	3	● 225834	1
C	4	● 247957	1
C	5	● 247958	1
C	6	● 247962	1
C	7	● 247961	1
C	8	● 247959	(43) 1

FIGURE 5

A = high moving - alta rotazione - haute demande - große Nachfrage
 B = medium moving - media rotazione - moyenne demande - mittelmäßige Nachfrage
 C = slow moving - bassa rotazione - basse demande - wenige Nachfrage